

## BUILT-IN MICROWAVE OVEN WITH GRILL

# USER MANUAL

TG925H3MTBL

Warning notices: Before using this product, please read this manual carefully and keep it for future reference. The design and specifications are subject to change without prior notice for product improvement. Consult with your dealer or manufacturer for details. The diagram above is just for reference. Please take the appearance of the actual product as the standard.

# LANGUAGES

EN	Englisch
----	----------

DE	Deutsch
----	---------

SQ	Albanisch
----	-----------

## THANK YOU LETTER

Thank you for choosing Midea! Before using your new Midea product, please read this manual thoroughly to ensure that you know how to operate the features and functions that your new appliance offers in a safe way.

# CONTENTS

THANK YOU LETTER	-----	EN-02
SAFETY INSTRUCTIONS	-----	EN-03
SPECIFICATION	-----	EN-13
PRODUCT OVERVIEW	-----	EN-14
PRODUCT INSTALLATION	-----	EN-17
OPERATION	-----	EN-21
TROUBLE SHOOTING	-----	EN-30
TRADEMARKS, COPYRIGHTS AND LEGAL STATEMENT	-----	EN-31
DISPOSAL AND RECYCLING	-----	EN-32
DATA PROTECTION NOTICE	-----	EN-33

# SAFETY INSTRUCTIONS

## Intended Use

The following safety guidelines are intended to prevent unforeseen risks or damage from unsafe or incorrect operation of the appliance. Please check the packaging and appliance on arrival to make sure everything is intact to ensure safe operation. If you find any damage, please contact the retailer or dealer. Please note modifications or alterations to the appliance are not allowed for your safety concern. Unintended use may cause hazards and loss of warranty claims.

## Explanation of Symbols



### **Danger**

This symbol indicates that there are dangers to the life and health of persons due to extremely flammable gas.



### **Warning of electrical voltage**

This symbol indicates that there is a danger to life and health of persons due to voltage.



### **Warning**

The signal word indicates a hazard with a medium level of risk which, if not avoided, may result in death or serious injury.



### **Caution**

The signal word indicates a hazard with a low degree of risk which, if not avoided, may result in minor or moderate injury.



### **Attention**

The signal word indicates important information (e.g. damage to property), but not danger.



### **Observe instructions**

This symbol indicates that a service technician should only operate and maintain this appliance in accordance with the operating instructions.

Read these operating instructions carefully and attentively before using/commissioning the unit and keep them in the immediate vicinity of the installation site or unit for later use!

# PRECAUTIONS TO AVOID POSSIBLE EXPOSURE TO EXCESSIVE MICROWAVE ENERGY

- a. Do not attempt to operate this oven with the door open since open door operation can result in harmful exposure to microwave energy.  
It is important not to defeat or tamper with the safety interlocks.
- b. Do not place any object between the oven front face and the door or allow soil or cleaner residue to accumulate on sealing surfaces.
- c. **WARNING:** If the door or door seals are damaged, the oven must not be operated until it has been repaired by a competent person.

## ADDENDUM

If the apparatus is not maintained in a good state of cleanliness, its surface could be degraded and affect the lifespan of the apparatus and lead to a dangerous situation.

# IMPORTANT SAFETY INSTRUCTIONS

To reduce the risk of fire, electric shock, injury to persons or exposure to excessive microwave oven energy when using your appliance, follow basic precautions, including the following:

## **⚠ WARNING**

- Read and follow the specific: "PRECAUTIONS TO AVOID POSSIBLE EXPOSURE TO EXCESSIVE MICROWAVE ENERGY".
- This appliance can be used by children aged from 8 years and above and persons with reduced physical, sensory or mental capabilities or lack of experience and knowledge if they have been given supervision or instruction concerning use of the appliance in a safe way and understand the hazards involved. Children shall not play with the appliance. Cleaning and user maintenance shall not be made by children without supervision.
- Keep the appliance and its cord out of reach of children less than 8 years.
- If the supply cord is damaged, it must be replaced by the manufacturer, its service agent or similarly qualified persons in order to avoid a hazard.
- **WARNING:** Ensure that the appliance is switched off before replacing the lamp to avoid the possibility of electric shock.
- **WARNING:** It is hazardous for anyone other than a competent person to carry out any service or repair operation that involves the removal of a cover which gives protection against exposure to microwave energy.

- **WARNING:** Liquids and other foods must not be heated in sealed containers since they are liable to explode.
- When heating food in plastic or paper containers, keep an eye on the oven due to the possibility of ignition.
- Only use utensils that are suitable for use in microwave ovens.
- If smoke is observed, switch off or unplug the appliance and keep the door closed in order to stifle any flames.
- Microwave heating of beverages can result in delayed eruptive boiling, therefore care must be taken when handling the container.
- The contents of feeding bottles and baby food jars shall be stirred or shaken and the temperature checked before consumption, in order to avoid burns.
- Eggs in their shell and whole hard-boiled eggs should not be heated in microwave ovens since they may explode, even after microwave heating has ended.
- The oven should be cleaned regularly and any food deposits removed.
- Failure to maintain the oven in a clean condition could lead to deterioration of the surface that could adversely affect the life of the appliance and possibly result in a hazardous situation.
- Only use the temperature probe recommended for this oven. (For ovens provided with a facility to use a temperature-sensing probe.)
- The microwave oven must be operated with the decorative door open. (For ovens with a decorative door.)
- This appliance is intended to be used in household and similar applications such as:

- staff kitchen areas in shops, offices and other working environments;
- by clients in hotels, motels and other residential type environments;
- farm houses;
- bed and breakfast type environments.
- The microwave oven is intended for heating food and beverages. Drying of food or clothing and heating of warming pads, slippers, sponges, damp cloth and similar may lead to risk of injury, ignition or fire.
- Metallic containers for food and beverages are not allowed during microwave cooking.
- The appliance shall not be cleaned with a steam cleaner.
- The appliance must not be installed behind a decorative door in order to avoid overheating. (This is not applicable for appliances with decorative door.)
- The microwave oven is intended to be used built-in.
- Care should be taken not to displace the turntable when removing containers from the appliance. (For fixed appliances and built-in appliances being used equal or higher than 900mm above the floor and having detachable turntables. But this is not applicable for appliances with horizontal bottom hinged door.)
- Steam cleaner is not to be used.
- Surface of a storage drawer can get hot.
- Do not use harsh abrasive cleaners or sharp metal scrapers to clean the oven door glass since they can scratch the surface, which may result in shattering of the glass.
- **WARNING:** The appliance and its accessible parts become hot during use. Care should be taken to avoid touching heating elements. Children less than 8 years

of age shall be kept away unless continuously supervised.

- During use the appliance becomes hot. Care should be taken to avoid touching heating elements inside the oven.
- WARNING: Accessible parts may become hot during use. Young children should be kept away.
- WARNING: When the appliance is operated in the combination mode, children should only use the oven under adult supervision due to the temperatures generated.
- The cavity lighting is a main function, which can facilitate users to clean and observe the food being cooked, etc. When users no longer need the lighting, for energy conservation, please close the oven door (the light will turn off automatically at this time).

**READ CAREFULLY AND KEEP  
FOR FUTURE REFERENCE  
HOUSEHOLD USE ONLY  
(NOT FOR COMMERCIAL USE)**

# TO REDUCE THE RISK OF INJURY TO PERSONS GROUNDING INSTALLATION

## DANGER

Electric Shock Hazard:

Touching some of the internal components can cause serious personal injury or death. Do not disassemble this appliance.

## WARNING

Electric Shock Hazard:

Improper use of the grounding can result in electric shock. Do not plug into an outlet until appliance is properly installed and grounded.

This appliance must be grounded. In the event of an electrical short circuit, grounding reduces the risk of electric shock by providing an escape wire for the electric current.

This appliance is equipped with a cord having a grounding wire with a grounding plug. The plug must be plugged into an outlet that is properly installed and grounded.

Consult a qualified electrician or serviceman if the grounding instructions are not completely understood or if doubt exists as to whether the appliance is properly grounded.

If it is necessary to use an extension cord, use only a 3-wire extension cord.

1. A short power-supply cord is provided to reduce the risks resulting from becoming entangled in or tripping over a longer cord.

2. If a long cord set or extension cord is used:
  - 1) The marked electrical rating of the cord set or extension cord should be at least as great as the electrical rating of the appliance.
  - 2) The extension cord must be a grounding-type 3-wire cord.
  - 3) The long cord should be arranged so that it will not drape over the counter top or tabletop where it can be pulled on by children or tripped over unintentionally.

## CLEANING

Be sure to unplug the appliance from the power supply.

1. Clean the cavity of the oven after using with a slightly damp cloth.
2. Clean the accessories in the usual way in soapy water.
3. The door frame and seal and neighbouring parts must be cleaned carefully with a damp cloth when they are dirty.
4. Do not use harsh abrasive cleaners or sharp metal scrapers to clean the oven door glass since they can scratch the surface, which may result in shattering of the glass.
5. Cleaning Tip---For easier cleaning of the cavity walls that the food cooked can touch: Place half a lemon in a bowl, add 300ml (1/2 pint) water and heat on 100% microwave power for 10 minutes. Wipe the oven clean using a soft, dry cloth.

# UTENSILS

## **⚠ CAUTION**

Personal Injury Hazard:

It is hazardous for anyone other than a competent person to carry out any service or repair operation that involves the removal of a cover which gives protection against exposure to microwave energy.

See the instructions on "Materials you can use in microwave oven or to be avoided in microwave oven." There may be certain non-metallic utensils that are not safe to use for microwaving. If in doubt, you can test the utensil in question following the procedure below.

### **Utensil Test:**

- Fill a microwave-safe container with 1 cup of cold water (250ml) along with the utensil in question.
- Cook on maximum power for 1 minute.
- Carefully feel the utensil. If the empty utensil is warm, do not use it for microwave cooking.
- Do not exceed 1 minute cooking time.

## Materials you can use in microwave oven

Utensils	Remarks
Browning dish	Follow manufacturer's instructions. The bottom of browning dish must be at least 3/16 inch (5mm) above the turntable. Incorrect usage may cause the turntable to break.
Dinnerware	Microwave-safe only. Follow manufacturer's instructions. Do not use cracked or chipped dishes.
Glass jars	Always remove lid. Use only to heat food until just warm. Most glass jars are not heat resistant and may break.
Glassware	Heat-resistant oven glassware only. Make sure there is no metallic trim. Do not use cracked or chipped dishes.
Oven cooking bags	Follow manufacturer's instructions. Do not close with metal tie. Make slits to allow steam to escape.
Paper plates and cups	Use for short-term cooking/warming only. Do not leave oven unattended while cooking.
Paper towels	Use to cover food for reheating and absorbing fat. Use with supervision for a short-term cooking only.
Parchment paper	Use as a cover to prevent splattering or a wrap for steaming.
Plastic	Microwave-safe only. Follow the manufacturer's instructions. Should be labeled "Microwave Safe". Some plastic containers soften, as the food inside gets hot. "Boiling bags" and tightly closed plastic bags should be slit, pierced or vented as directed by package.
Plastic wrap	Microwave-safe only. Use to cover food during cooking to retain moisture. Do not allow plastic wrap to touch food.
Thermometers	Microwave-safe only (meat and candy thermometers).
Wax paper	Use as a cover to prevent splattering and retain moisture.

## Materials to be avoided in microwave oven

Utensils	Remarks
Aluminum tray	May cause arcing. Transfer food into microwave-safe dish.
Food carton with metal handle	May cause arcing. Transfer food into microwave-safe dish.
Metal or metal-trimmed utensils	Metal shields the food from microwave energy. Metal trim may cause arcing.
Metal twist ties	May cause arcing and could cause a fire in the oven.
Paper bags	May cause a fire in the oven.
Plastic foam	Plastic foam may melt or contaminate the liquid inside when exposed to high temperature.
Wood	Wood will dry out when used in the microwave oven and may split or crack.

# SPECIFICATION

Model	TG925H3MTBL
Rated Voltage/Frequency	230-240 V~ 50 Hz
Microwave Input	1450 W
Microwave Output	900 W
Grill	1100-1200 W

## ENERGY CONSUMPTION

Product information for power consumption and maximum time to reach applicable low power mode.

Standby mode	0.8 W
The maximum time needed for the microwave oven to automatically reach the applicable low power mode or condition.	20 minutes

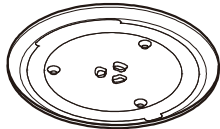
---

# PRODUCT OVERVIEW

## Names of Oven Parts and Accessories

In case of any differences between the appliance and the pictures in this manual, the product shall prevail.

Remove the oven and all materials from the carton and oven cavity. Your oven comes with the following accessories:



Glass Tray



Turntable Ring Assembly



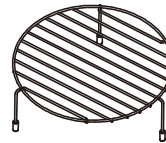
Instruction Manual



Sucker




Turntable Shaft



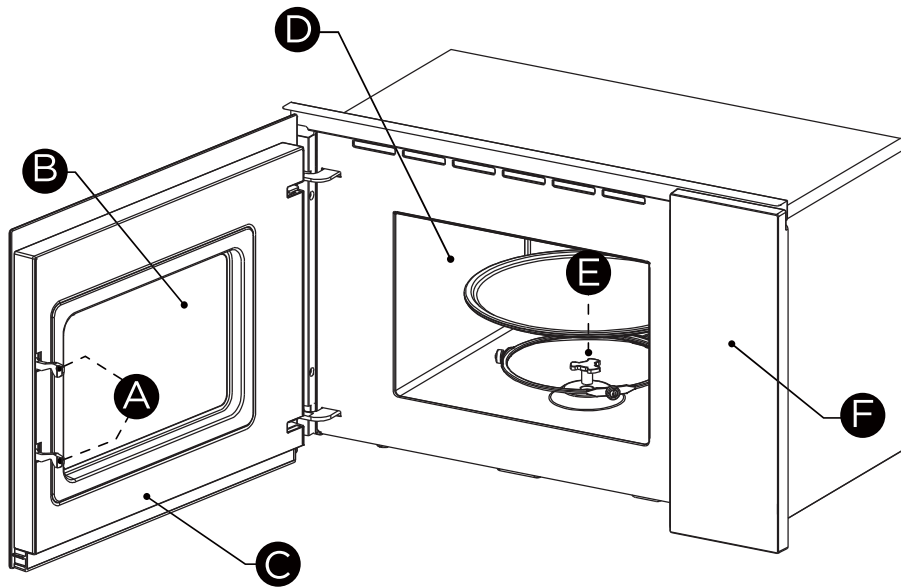
Grill Rack (For grilling, e.g. steaks, sausages and for toasting bread. As a support for shallow dishes.)

## Accessories Reference Chart

	 <b>Grill Rack</b>
Microwave	×
Grill	√
Combi.1	×
Combi.2	×
Defrost by weight	×
Defrost by time	×
Auto menu	×

# PRODUCT OVERVIEW

## Names of Oven Parts and Accessories



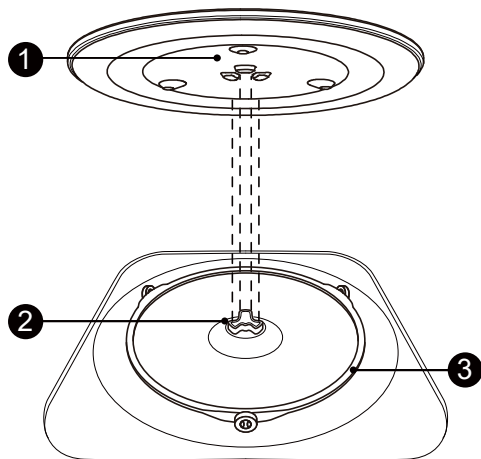
A) Safety interlock system  
B) Observation window  
C) Door assembly

D) Oven cavity  
E) Turntable shaft  
F) Control panel

# PRODUCT OVERVIEW

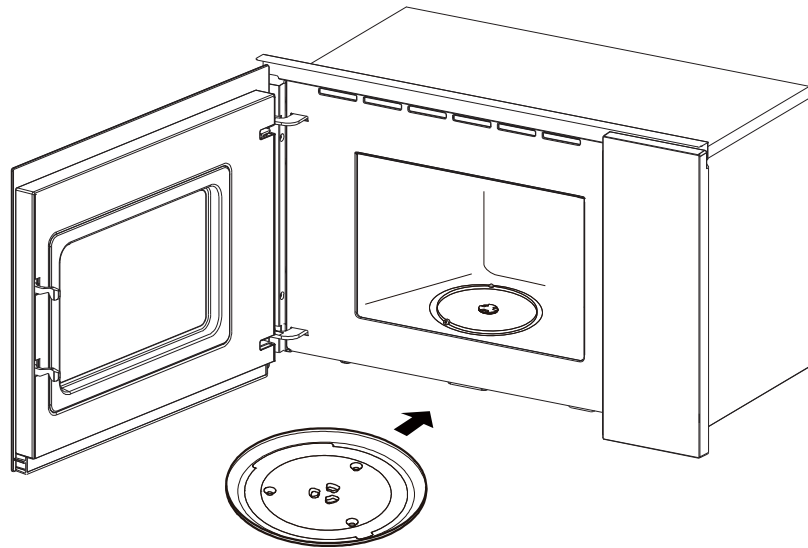
## TURNTABLE INSTALLATION

Cleaning the cooking compartment and putting the turntable in place. For new installations, make sure all packaging and shipping tape has been removed from the turntable shaft. Before using the appliance to prepare food for the first time, you will need to put the turntable in place correctly. You must clean the cooking compartment and accessories.



How to put the turntable in place:

1. Place the turntable ring assembly (3) into the recess in the cooking compartment.
2. Place the glass tray (1) on the turntable ring assembly (3). Fit the raised, curved lines in the center of the glass tray bottom between the three spokes of the shaft. Make sure that the glass tray (1) engages in the turntable shaft (2) in the centre of the cooking compartment floor. The rollers on the shaft should fit inside the turntable bottom ridge.



Notes:

1. Never use the appliance without the turntable. Make sure that it is properly engaged. The turntable can turn clockwise or anti-clockwise.
2. Never place the glass tray upside down. The glass tray should never be restricted.
3. Both glass tray and turntable ring assembly must always be used during cooking.
4. All food and containers of food are always placed on the glass tray for cooking.
5. Never restrict the movement of the turntable.
6. If glass tray or turntable ring assembly cracks or breaks, contact your nearest authorized service center.

# PRODUCT INSTALLATION

## INSTALLATION AND CONNECTION

1. This appliance is only intended for domestic use.
2. This oven is intended for built-in use only. It is not intended for counter-top use or for use inside a cabinet.
3. Please observe the special installation instructions.
4. The appliance can be installed in a 60cm wide wall-mounted cupboard.
5. The appliance is fitted with a plug and must only be connected to a properly installed earthed socket.
6. The mains voltage must correspond to the voltage specified on the rating plate.
7. The socket must be installed and connecting cable must only be replaced by a qualified electrician. If the plug is no longer to accessible following installation, an all-pole disconnecting device must be present on the installation side with a contact gap of at least 3mm.
8. Adapters, multi-way strips and extension leads must not be used. Overloading can result in a risk of fire.
9. Don't use under the work surface and that it must not be subject to spillage from containers onto surfaces under which the appliance is installed.

**The accessible surface may be hot during operation.**



# PRODUCT INSTALLATION

## INSTALLATION INSTRUCTIONS

The following must be noted

### Electrical connection

The appliance is fitted with a plug and must only be connected to a properly installed earthed socket. Only a qualified electrician who takes the appropriate regulations into account may install the socket or replace the connecting cable. If the plug is no longer accessible following installation, an all-pole isolating switch must be present on the installation side with a contact gap of at least 3 mm. Contact protection must be ensured by the installation.

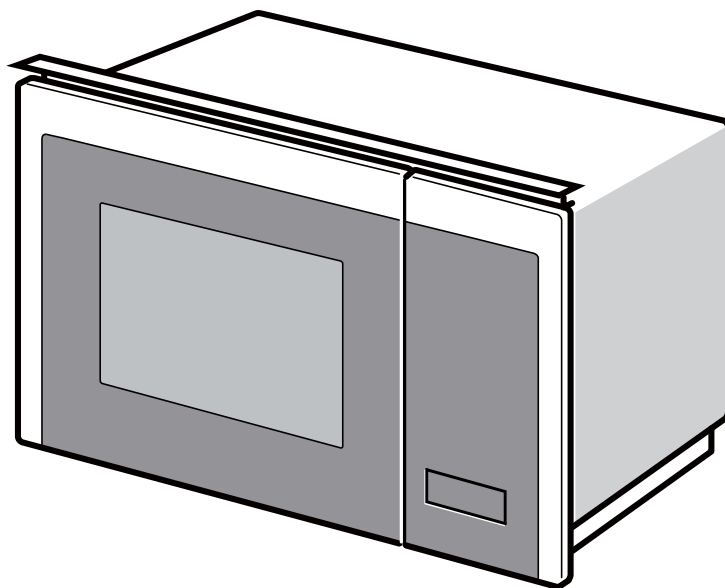
### Fitted units

The installation cabinet must not have a back panel behind the appliance. Minimum installation height: 850 mm. Ventilation slots and intakes must not be covered.

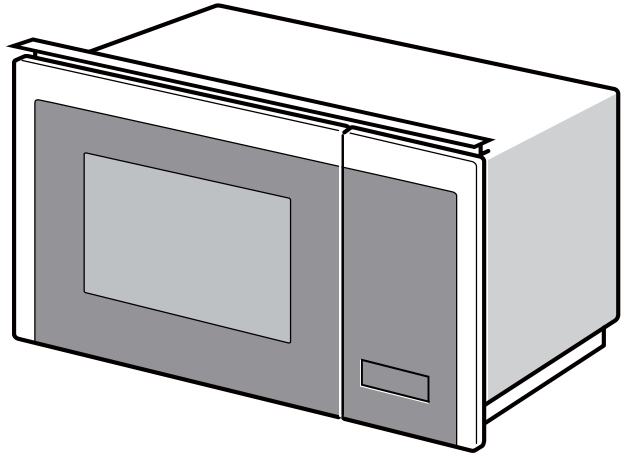
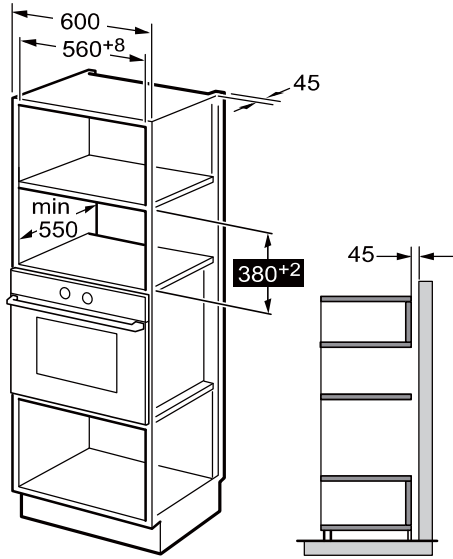
### Installing the oven - Fig. 2

Notes:

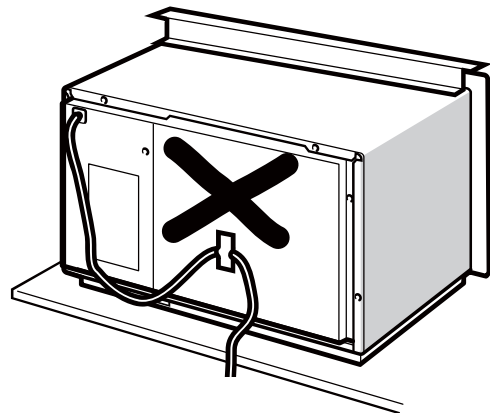
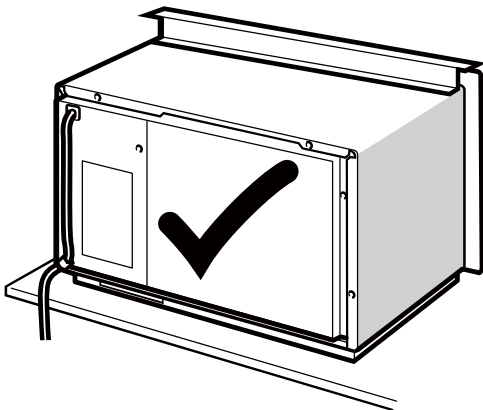
- (1) Do not trap or kink the mains lead.
- (2) The dimensions in the figures are in mm.

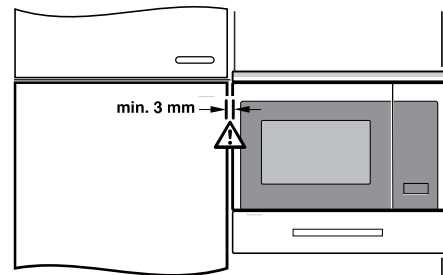
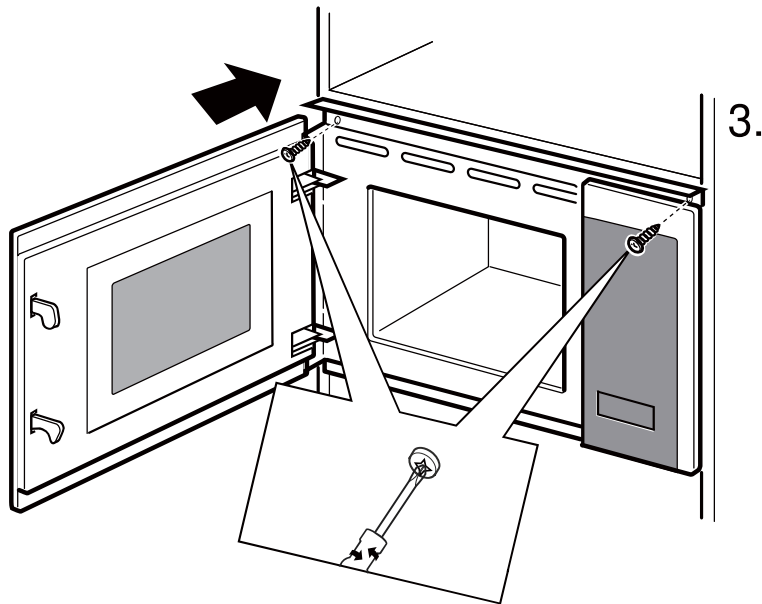
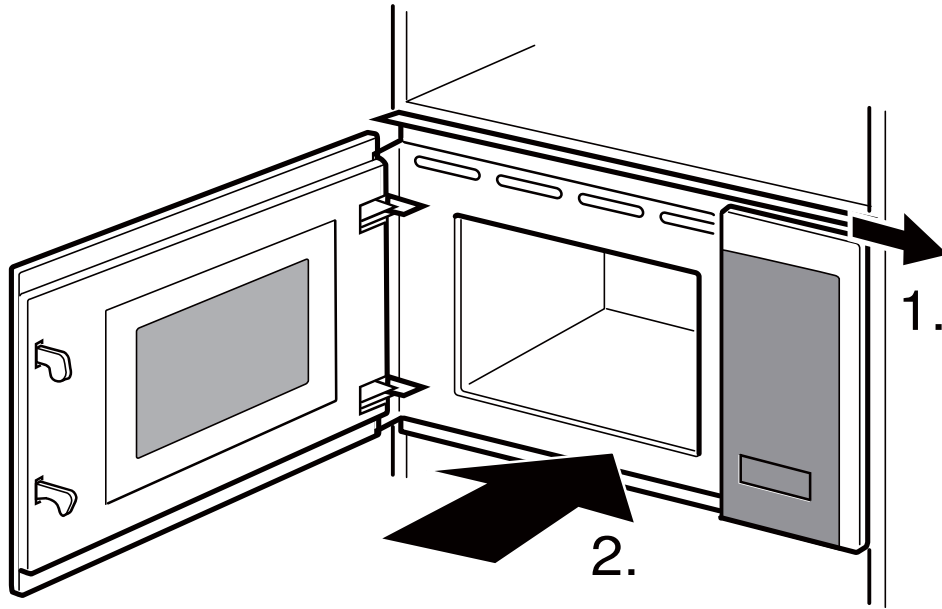


# 1



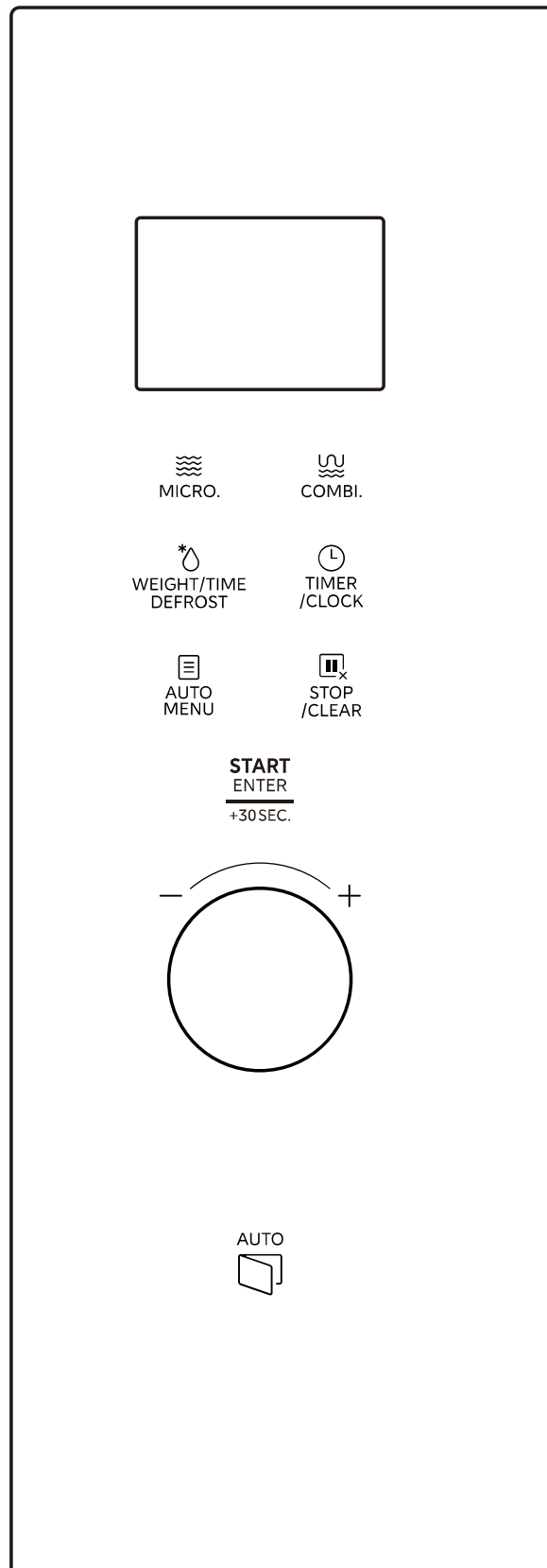
# 2











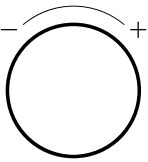


# OPERATION

## Control Panel






# OPERATION

## Button Function Overview

Button	Description
 MICRO.	Use microwave energy to cook
 COMBI.	Combination cooking mode: Grill / Microwave+ Grill
 WEIGHT/TIME DEFROST	Quickly defrost frozen foods based on the selected weight or time
 TIMER /CLOCK	Cooking timer / Clock
 AUTO MENU	Auto menu with preset programs by weight
 STOP /CLEAR	Pause active cooking status / Cancel current operation / Lock function for children
	Adjust time, power level, weight, cooking mode, auto menu, and other parameters
 START ENTER +30SEC.	Start speedy cooking for 30 seconds / Confirm input / Start operation / Add 30 seconds
 AUTO	Electric door opening

# OPERATION



## 1. Setting the Clock

- (1) Touch  twice and then “00:00” will display.
- (2) Turn the knob to set the hour figures.
- (3) Touch  to confirm.
- (4) Turn the knob to set the minute figures.
- (5) Touch  to confirm setting.

### Notes

- (1) To reset the clock, please repeat step 1 to step 5.
- (2) The clock is a 24-hour display.

## 2. Setting the Kitchen Timer

- (1) Touch  once, and then “00:00” will display.
- (2) Turn the knob to set the desired time. The maximum time value is “95:00”.
- (3) Touch  to confirm. The timer starts counting down.





### Note

The kitchen timer is a timer.

## 3. Microwave Cooking





The 6 power levels are available.

Power	100%	80%	50%	30%	20%	10%
Display	P100	P80	P50	P30	P20	P10

- (1) In standby mode, touch  once, and then “P100” will display.
- (2) Touch  repeatedly or turn the knob to set the power.  
The 6 power levels are available.
- (3) Touch  to confirm.
- (4) Turn the knob to set the cooking time. The maximum time value is “95:00”.
- (5) Touch  to start cooking.

# OPERATION

## 4. Grill & Combi. Cooking

- (1) In standby mode, touch  once, and then “G” will display.
- (2) Touch  repeatedly or turn the knob to choose the cooking mode, and then “C-1”, “C-2”, or “G” displays.
- (3) Touch  to confirm.
- (4) Turn the knob to set the cooking time. The maximum time value is “95:00”.
- (5) Touch  to start cooking.



### Note

The buzzer will sound to remind you to turn the food over during grilling cooking. If no operation, the oven will continue working.


### Grill & Combination Cooking Chart

Function	Display	Microwave Power	Grill Power
Grill	G	0%	100%
Combi. 1	C-1	55%	45%
Combi. 2	C-2	34%	66%

## 5. Speedy Cooking



- (1) In standby mode, touch  once to cook food at 100% power level for 30 seconds. Each touch on the same key can increase 30 seconds. The maximum time value is “95:00”.
- (2) In standby mode, turn the knob to set a cooking time at 100% power. Touch  to start cooking. The maximum time value is “95:00”.

### Note

In the microwave, grilling, combination, and defrosting by time cooking state, touching  or turning the knob can change the cooking time (except for the defrosting by weight and auto menu).

# OPERATION

## 6. Defrost by Weight

- (1) Touch  repeatedly to choose the type of the food.
- (2) Turn the knob to set the weight of the food.
- (3) Touch  to start defrosting.



### Note

The buzzer will sound to remind you to turn the food over during defrosting. If no operation, the oven will continue working.

### Defrost by Weight Chart

Food	Display	Weight
Meat	dEF1	100-2000g
Poultry	dEF2	100-1500g
Fish	dEF3	300-1000g

## 7. Defrost by Time

- (1) Touch  repeatedly until “dEF4” displays.
- (2) Turn the knob to set the desired defrosting time. The maximum time value is “95:00”.
- (3) Touch  to start defrosting.

### Notes

- (1) The defrost power is P30 and it cannot be changed.
- (2) The buzzer will sound to remind you to turn the food over during defrosting. If no operation, the oven will continue working.

## 8. Lock Function for Children

You can use this function to disable the screen buttons and prevent your child from accidentally turning the oven on.

To activate the lock:

In standby mode, touch and hold  for three seconds. A beep sounds and the locked icon will display.






To deactivate the lock:

In locked state, touch and hold  for three seconds. A beep sounds.

# OPERATION

## 9. Multi-Stage Cooking




Example: Defrost food for 5 minutes and then cook with P80 for 7 minutes.

- (1) Touch  four times, “dEF4” will display.
- (2) Turn the knob to set the desired defrosting time to 5 minutes.
- (3) Touch  once, and then “P100” will display.
- (4) Touch  repeatedly or turn the knob to set the power level to P80.
- (5) Touch  to confirm.
- (6) Turn the knob to set the cooking time to 7 minutes.
- (7) Touch  to start cooking.





### Notes

- (1) Two cooking stages can be set in multi-stage cooking.
- (2) If you set the defrost function, it will work automatically in the first stage.
- (3) The kitchen timer and auto menu cannot be set as one of the multi-stage.

## 10. Inquiring Function

- (1) If the clock has been set, the current time will display for three seconds by touching  in the cooking state.
- (2) In the microwave, grilling, and combination cooking state, touch  or  to inquire about the power level or cooking mode. It will display for three seconds.

## 11. Auto Menu

- (1) In standby mode, touch  once, the screen will display “A1”.
- (2) Touch  repeatedly or turn the knob to set the menu you need.  
The 14 auto menus are available.
- (3) Touch  to confirm.
- (4) Turn the knob to set the weight of the food.
- (5) Touch  to start cooking.

# OPERATION

## Auto Menu Chart

Menu	Weight	Display	Power Level
A1 Pizza	200g	200g	C-2
	400g	400g	
A2 Potato	200g	200g	P100
	400g	400g	
	600g	600g	
A3 Meat	250g	250g	P100
	350g	350g	
	450g	450g	
A4 Fish	250g	250g	P80
	350g	350g	
	450g	450g	
A5 Vegetable	200g	200g	P100
	300g	300g	
	400g	400g	
A6 Beverage	1 cup (about 120ml)	1	P100
	2 cups (about 240ml)	2	
	3 cups (about 360ml)	3	
A7 Pasta	50g (with 450g cold water)	50g	P80
	100g (with 800g cold water)	100g	
A8 Popcorn	50g	50g	P100
	100g	100g	
A9 Soften-Butter	50g	50g	P20
	100g	100g	
	150g	150g	

# OPERATION

## Auto Menu Chart


Menu	Weight	Display	Power Level
A10 Melt-Butter	50g	50g	P50
	100g	100g	
	150g	150g	
A11 Melt-Chocolate	50g	50g	P80
	100g	100g	
	150g	150g	
A12 Melt-Cheese	50g	50g	P50
	100g	100g	
	150g	150g	
A13 Braised Chicken	1500g	1500g	P100+P80
A14 Soup	500g	500g	P100+P50

### Notes

For the menus “A13, A14”, please skip the step (4).

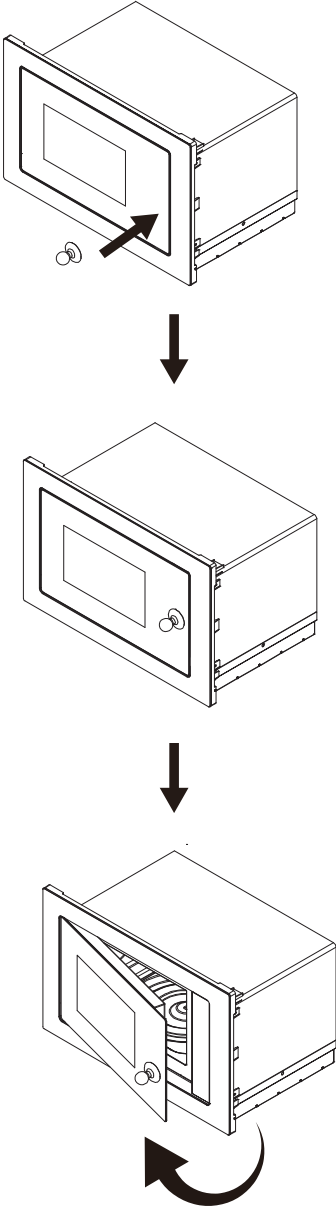
# OPERATION

## 12. Electric door opening function

Touch  once, the oven door will open.

### Notes

If the electric door is broken, open the oven door with the sucker as shown below.



# TROUBLE SHOOTING


Normal	
Microwave oven interfering TV reception	Radio and TV reception may be interfered when microwave oven operating. It is similar to the interference of small electrical appliances, like mixer, vacuum cleaner, and electric fan. It is normal.
Dim oven light	In low power microwave cooking, oven light may become dim. It is normal.
Steam accumulating on door, hot air out of vents	In cooking, steam may come out of food. Most will get out from vents. But some may accumulate on cool place like oven door. It is normal.
Oven started accidentally with no food in.	It is forbidden to run the unit without any food inside. It is very dangerous.

Trouble	Possible Cause	Remedy
	(1) Power cord is not plugged in tightly.	Unplug. Then plug again after 10 seconds.
Oven cannot be started.	(2) Fuse blowing or circuit breaker works.	Replace fuse or reset circuit breaker (repaired by professional personnel of our company)
	(3) Trouble with outlet.	Test outlet with other electrical appliances.
Oven does not heat.	(4) Door is not closed well.	Close door well.



According to Waste of Electrical and Electronic Equipment (WEEE) directive, WEEE should be separately collected and treated. If at any time in future you need to dispose of this product please do NOT dispose of this product with household waste. Please send this product to WEEE collecting points where available.

# TRADEMARKS, COPYRIGHTS AND LEGAL STATEMENT

 Midea logo, word marks, trade name, trade dress and all versions thereof are valuable assets of Midea Group and/or its affiliates (“Midea”), to which Midea owns trademarks, copyrights and other intellectual property rights, and all goodwill derived from using any part of an Midea trademark. Use of Midea trademark for commercial purposes without the prior written consent of Midea may constitute trademark infringement or unfair competition in violation of relevant laws.

This manual is created by Midea and Midea reserves all copyrights thereof. No entity or individual may use, duplicate, modify, distribute in whole or in part this manual, or bundle or sell with other products without the prior written consent of Midea.

All the described functions and instructions were up to date at the time of printing this manual. However, the actual product may vary due to improved functions and designs.

# DISPOSAL AND RECYCLING

## Important instructions for environment

Compliance with the WEEE Directive and Disposing of the Waster Product:  
This product complies with EU WEEE Directive (2012/19/EU). This product bears a classification symbol for waster electrical and electronic equipment (WEEE).

This symbol indicates that this product shall not be disposed with other household wastes at the end of its service life. Used device must be returned to official collection point for recycling of electrical electronic devices. To find these collection systems please contact to your local authorities or retailer where the product was purchased. Each household performs important role in recovering and recycling of old appliance. Appropriate disposal of used appliance helps prevent potential negative consequences for the environment and human health.

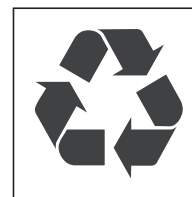


## Compliance with RoHS Directive

The product you have purchased complies with EU RoHS Directive (2011/65/EU). It does not contain harmful and prohibited materials specified in the Directive.

## Package information

Packaging materials of the product are manufactured from recyclable materials in accordance with our National Environment Regulations. Do not dispose of the packaging materials together with the domestic or other wastes. Take them to the packaging material collection points designated by the local authorities.



# DATA PROTECTION NOTICE

For the provision of the services agreed with the customer, we agree to comply without restriction with all stipulations of applicable data protection law, in line with agreed countries within which services to the customer will be delivered, as well as, where applicable, the EU General Data Protection Regulation (GDPR).

Generally, our data processing is to fulfil our obligation under contract with you and for product safety reasons, to safeguard your rights in connection with warranty and product registration questions. In some cases, but only if appropriate data protection is ensured, personal data might be transferred to recipients located outside of the European Economic Area.

Further information are provided on request. You can contact our Data Protection Officer via **MideaDPO@midea.com**. To exercise your rights such as right to object your personal data being processed for direct marketing purposes, please contact us via **MideaDPO@midea.com**. To find further information, please follow the QR Code.



*make yourself at home*



[www.midea.com](http://www.midea.com)

© Midea 2025 all rights reserved